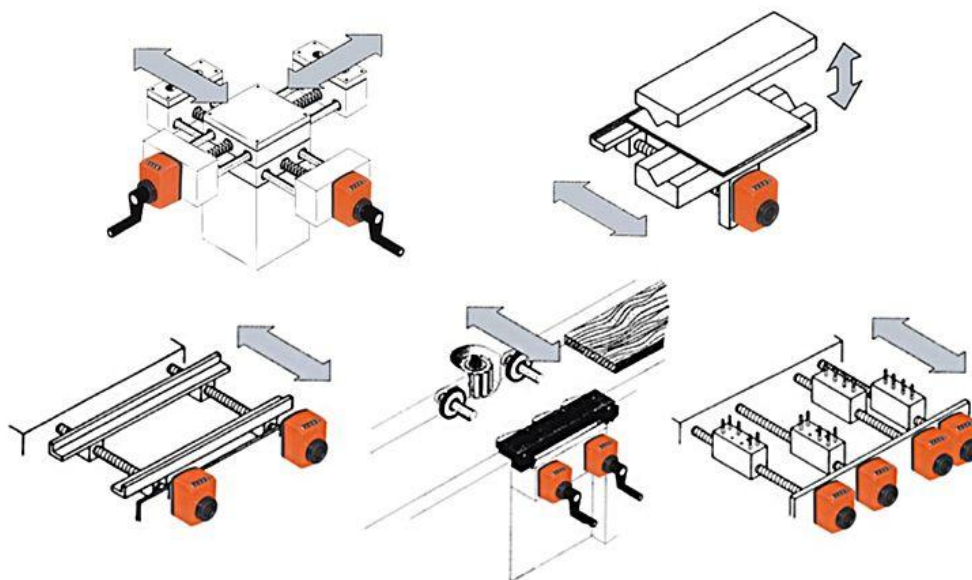


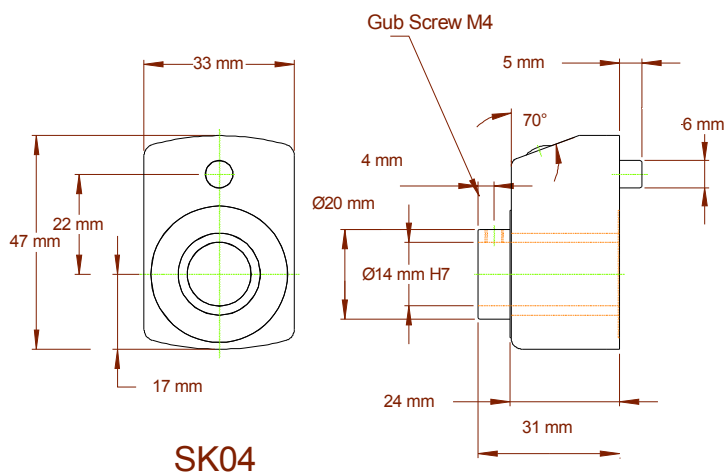
Analogue indicators

An analogue indicator is perfect for mounting to screw shafts to give a measurement of movement. Ideal operator and QA interface for packaging, woodworking, glass, printing, shaping and sheet metal machinery.



Stocked types are suitable for horizontal eye down (horizontal shaft) and vertical eye down (vertical shaft) mounting and configured to read to 1/10 mm when mounted to stock trapezoidal screw shafts. Indicators on the front face or vertical shaft mount types can be supplied on indent.

SK04



Code	Orientation (shaft)	Pitch	Bore	Direction	Trap shaft
SK0414-1.0I-14-O	Vertical	1	14	Clockwise	
SK0412-2.0I-8-O	Horizontal	2	8	Clockwise	TMR10
SK0412-2.0I-10-O	Horizontal	2	10	Clockwise	TMR12
SK0414-2.0I-10-O	Vertical	2	10	Clockwise	TMR12
SK0414-3.0I-14-O	Vertical	3	14	Clockwise	TMR16

Stock types above with other types available on request.



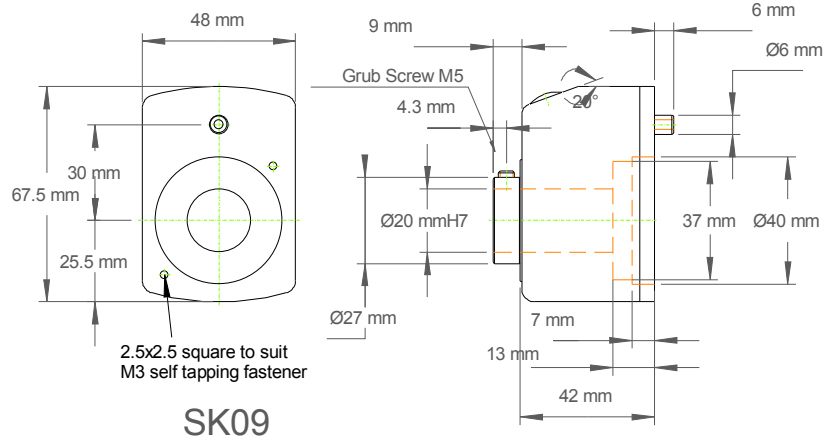
SK09



SK0912



SK0914



SK09

Code	Orientation (shaft)	Pitch	Bore	Direction	Trap shaft
SK0912-3.0I-12-O	Horizontal	3	12	Clockwise	TMR16
SK0912-3.0E-12-O	Horizontal	3	12	Anticlockwise	TMR16
SK0914-3.0I-12-O	Vertical	3	12	Clockwise	TMR16
SK0912-4.0I-15-O	Horizontal	4	15	Clockwise	TMR20
SK0914-4.0I-15-O	Vertical	4	15	Clockwise	TMR20
SK0912-4.0E-15-O	Horizontal	4	15	Anticlockwise	TMR20
SK0912-5.0E-20-O	Horizontal	5	20	Anticlockwise	TMR25
SK0914-5.0I-20-O	Vertical	5	20	Clockwise	TMR25
SK0912-6.0I-20-O	Horizontal	6	20	Clockwise	TMR32
SK0912-6.0E-20-G	Horizontal	6	20	Anticlockwise	TMR32
SK0914-6.0I-20-O	Vertical	6	20	Clockwise	TMR32

Stock types above with other types available on request.

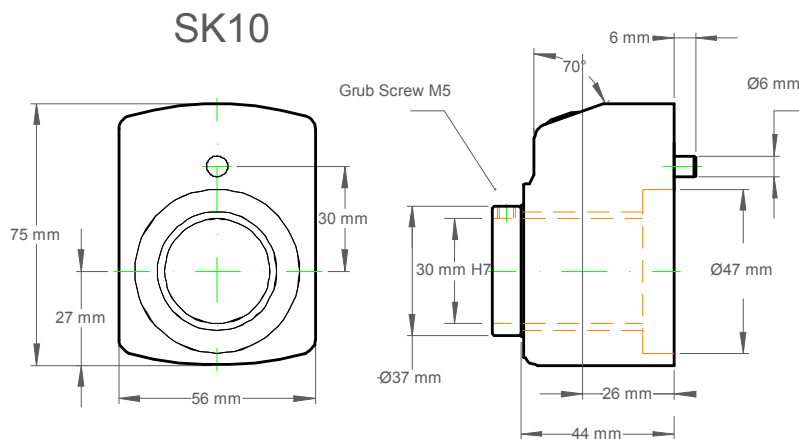
SK10



SK1012



SK1014

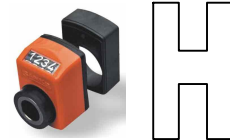


SK10

Code	Orientation (shaft)	Pitch	Bore	Direction	Trap shaft
SK1012-5.0I-20-O	Horizontal	5	20	Clockwise	TMR25
SK1012-5.0I-25-O	Horizontal	5	25	Clockwise	TMR25

Stock types above with other types available on request.

Also available large frame SK20 and SK19 low profile version of SK09.

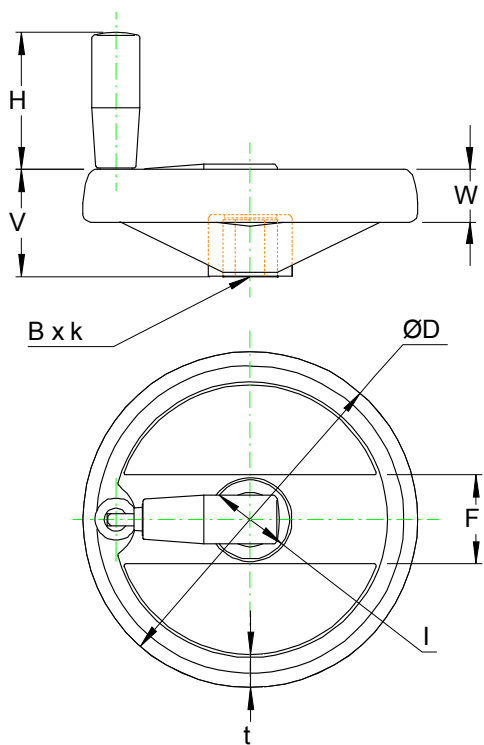


Aluminium Handwheels

A rugged aluminium handwheel with a good looking black powder coated finish. Features a handle that retracts into the face of the rim for a clean safe worker interface. Gives machines a professional ergonomic look.

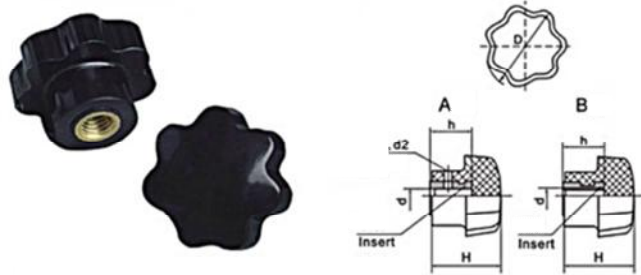
These handwheels are from stock bored and keyed ready to install.

Part Code	ØD	B	k	H	ØH	W	V	I	t	F
	Outside dia	Bore	Keyway	Handle height	Handle dia	Rim height	Handle height	Washer ring	Rim thickness	Web thickness
7310-100x12	99	12	4	52	22	20	40	18	10	30
7310-125x12	125	12	4	68	24	22	44	18	12	31
7310-160x16	160	16	5	80	27	24	48	22	12	39
7310-200x18	200	18	6	80	27	27	54	22	12	45

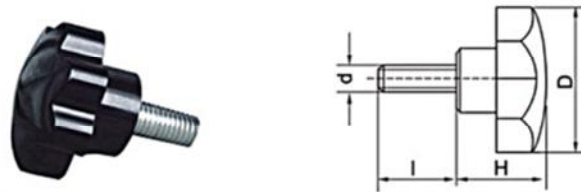




Male and female star knobs and adjustable handles are from stock and are ideal to use as movement locks in manual positioning systems.



	d	D	H	h	d2
SK7404-A6	M6	32	20	12	2
SK7404-A8	M8	40	25	16	3
SK7404-A10	M10	50	30	20	3
SK7404-A12	M12	65	35	25	3



	d	D	I	H
SK7405-6	M6	32	30	20
SK7405-8	M8	40	50	25
SK7405-10	M10	50	50	30
SK7405-12	M12	65	60	35

Adjustable handles in zinc or female plastic with brass insert



Plastic	Zinc	d	D	I	H
	SK7012-M6	M6	50	25	32
SK7015-M8	SK7012-M8	M8	63	25	43
SK7015-M10	SK7012-M10	M10	80	40	50
SK7015-M12	SK7012-M12	M12	95	50	58
	SK7012-M16	M16	114		70