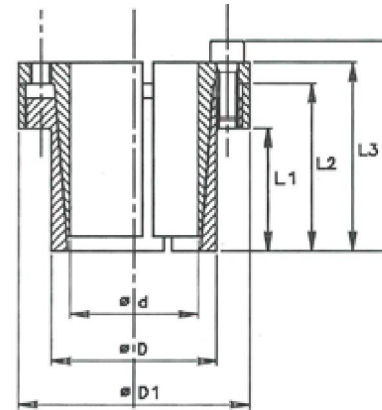


Friction Bushes – CLK Couplings



- Easy assembly and disassembly
- No keyways required
- Simple axial and rotational adjustment
- Ideal for timing pulleys
- Simple machining requirements



Code	Size dXD	L1 mm	L2 mm	L3 mm	B mm	D1 mm	Torque Mt Nm	Axial Thrust F ass. KN	Surface pressures on		Tightening screw s	Tightening torque Nm
	mm								Shaft PW N/mm2	Hub Pn N/mm2		
CLK110 6-14	6x14	10	18	21	24	25	12	4	185	80	3xM3	2
CLK110 7-15	7x15	12	22	25	29	27	25	7	235	110	3xM4	5
CLK110 8-15	8x15	12	22	25	29	27	29	7	205	110	3xM4	5
CLK110 9-16	9x16	14	23	26	30	28	44	10	205	115	4xM4	5
CLK110 10-16	10x16	14	23	26	30	28	49	10	185	115	4xM4	5
CLK110 11-18	11x18	14	23	26	30	32	53	10	170	105	4xM4	5
CLK110 12-18	12x18	14	23	26	30	32	58	10	160	105	4xM4	5
CLK110 13-23	13x23	14	23	26	30	38	63	10	140	80	4xM4	5
CLK110 14-23	14x23	14	23	26	30	38	68	10	130	80	4xM4	5
CLK110 15-24	15x24	16	29	36	42	45	127	17	185	115	3xM6	17
CLK110 16-24	16x24	16	29	36	42	45	136	17	175	115	3xM6	17
CLK110 17-26	17x26	18	31	38	44	47	180	22	190	125	4xM6	17
CLK110 18-26	18x26	18	31	38	44	47	200	22	180	125	4xM6	17
CLK110 19-27	19x27	18	31	38	44	49	210	22	170	120	4xM6	17
CLK110 20-28	20x28	18	31	38	44	50	220	22	160	115	4xM6	17
CLK110 22-32	22x32	25	38	45	51	54	250	22	115	80	4xM6	17
CLK110 24-34	24x34	25	38	45	51	56	270	22	105	75	4xM6	17
CLK110 25-34	25x34	25	38	45	51	56	280	22	100	75	4xM6	17
CLK110 28-39	28x39	25	38	45	51	61	465	33	135	97	6xM6	17
CLK110 30-41	30x41	25	38	45	51	62	510	33	127	90	6xM6	17
CLK110 32-43	32x43	25	38	45	51	65	540	33	120	90	6xM6	17
CLK110 35-47	35x47	32	45	52	58	69	790	45	105	80	8xM6	17
CLK110 38-50	38x50	32	45	52	58	72	860	45	100	75	8xM6	17
CLK110 40-53	40x53	32	45	52	58	75	900	45	95	70	8xM6	17
CLK110 42-55	42x55	32	45	52	58	78	950	45	90	70	8xM6	17
CLK110 45-59	45x59	45	62	70	78	86	1890	84	110	85	8xM8	41
CLK110 48-62	48x62	45	62	70	78	87	2010	84	105	80	8xM8	41
CLK110 50-65	50x65	45	62	70	78	92	2100	84	100	75	8xM8	41
CLK110 55-71	55x71	55	72	80	88	98	2600	94	85	65	9xM8	41
CLK110 60-77	60x77	55	72	80	88	104	2840	94	75	60	9xM8	41
CLK110 65-84	65x84	55	72	80	88	111	3070	94	70	55	9xM8	41
CLK110 70-90	70x90	65	86	96	106	119	5250	150	90	70	9xM10	83
CLK110 75-95	75x95	65	86	96	106	126	5600	150	80	65	9xM10	83
CLK110 80-100	80x100	65	86	96	106	131	8020	200	100	80	12xM10	83
CLK110 85-106	85x106	65	86	96	106	137	8500	200	95	75	12xM10	83
CLK110 90-112	90x112	65	86	96	106	144	9000	200	90	75	12xM10	83
CLK110 95-120	95x120	65	86	96	106	149	11000	230	100	80	14xM10	83
CLK110 100-125	100x125	65	86	96	106	154	15000	300	120	95	18xM10	83
CLK110 110-140	110x140	90	114	128	140	180	16000	290	80	65	12xM12	145
CLK110 120-155	120x155	90	114	128	140	198	17500	290	70	55	12xM12	145
CLK110 130-165	130x165	90	114	128	140	208	25000	384	90	70	16xM12	145

Normal stock items in bold type