



DC Gear Motors

Hiwin DC motors offer a space saving and economical way of adding motor power to your machine or mechanism. All types are rated for continuous duty and direction of rotation can be set by simply changing polarity. Motors are stocked with an integral magnetic hall sensor encoder for interfacing with external control circuitry.

Most types available without gearing and nominal speeds from 3200rpm.



A DC motor output speed will vary with load and applied voltage. Maximum torque (or breaking torque) is the stall torque or start up torque. Nominal torque and speed is at the peak efficiency for the motor.

Voltage rating for the encoder is approx 2.4-26V and the resolution varies with the style and gearing of the unit.

X



HIWIN®

Linear Motion Products & Technology

AM1 Gearmotor

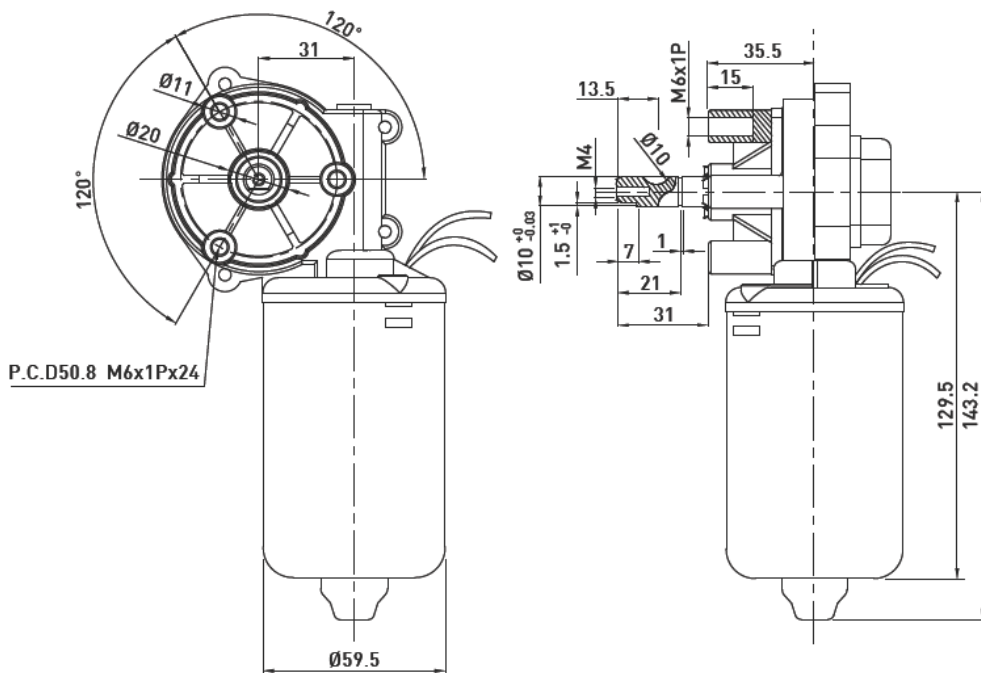
CE



Continuous duty rating, reversible DC gear motor. Compact size, torque output up to 25Nm peak.

12 or 24 volt options with two gear ratios. Comes complete with encoder.

CE conformity if your machine will be exported.



	DC 12V		DC 24V	
	72W	72W	60W	60W
No load current	1.5A (max.)	1.5A (max.)	0.8A (max.)	0.8A (max.)
No load speed	140 rpm	50 rpm	135 rpm	50 rpm
Nominal torque	3.0 N.m	5.0 N.m	3.0 N.m	5.0 N.m
Nominal speed	110 rpm	40 rpm	115 rpm	40 rpm
Nominal current	6.0A (max.)	6.0A (max.)	2.5A (max.)	2.5A (max.)
Maximum current	26A	21A	15A	8A
Breaking torque	14 N.m	25 N.m	20 N.m	25 N.m
Reduction ratio	2 : 52	1 : 52	2 : 52	1 : 52
Resolution	15 pulse/rev	15 pulse/rev	15 pulse/rev	15 pulse/rev
Rated duty	S1	S1	S1	S1
Weight	1200 g	1200 g	1200 g	1200 g
Number	FB0130101201	FB0130101202	FB0130102401	FB0130102402

The 50rpm ratio types are self-locking, all other types can be back driven.



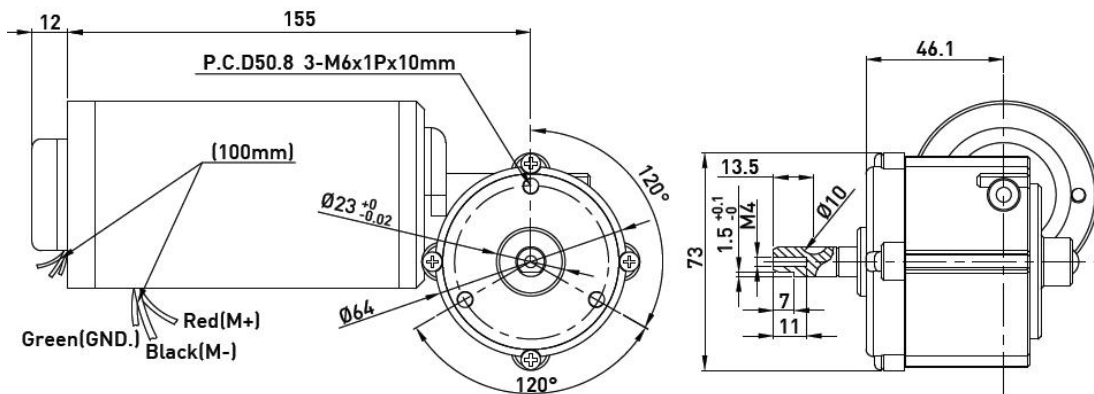
AM3 Gearmotor



Continuous duty rating, reversible DC gear motor. Compact size, torque output up to 55Nm peak.

12 or 24 volt options, comes complete with encoder.

CE conformity if your machine will be exported.



	DC 12V	DC 24V
	66W	60W
No load current	2.0A (max.)	1.5A (max.)
No load speed	37 rpm	37 rpm
Nominal torque	5.0 N.m	5.0 N.m
Nominal speed	33 rpm	33 rpm
Nominal current	5.5A (max.)	2.5A (max.)
Maximum current	30A	15A
Breaking torque	55 N.m	55 N.m
Reduction ratio	1 : 65.33	1 : 65.33
Resolution	980 pulse/rev	980 pulse/rev
Rated duty	S1	S1
Weight	1950 g	1950 g
Number	FB0130301201	FB0130302401

These types can be back driven.

X



HIWIN®

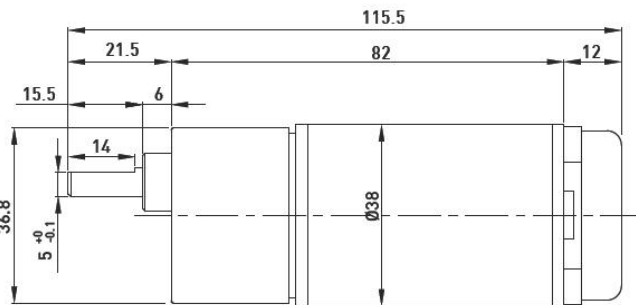
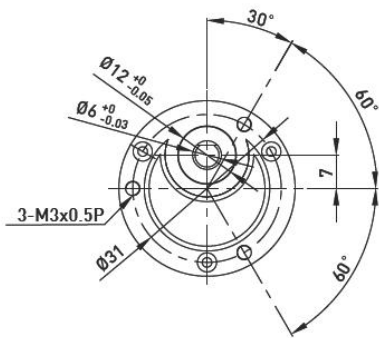
Linear Motion Products & Technology

AM6 Gearmotor



Continuous duty rating, reversible DC gear motor. Compact size, torque output up to 3Nm peak.

12 or 24 volt options, comes complete with encoder.



	DC 12V	DC 24V
	48W	48W
No load current	1.0A (max.)	0.5A (max.)
No load speed	155 rpm	155 rpm
Nominal torque	0.5 N.m	0.5 N.m
Nominal speed	130 rpm	130 rpm
Nominal current	4.0A (max.)	2.0A (max.)
Maximum current	19A	7A
Breaking torque	3 N.m	3 N.m
Reduction ratio	1 : 50	1 : 50
Resolution	750 pulse/rev	750 pulse/rev
Rated duty	S1	S1
Weight	440 g	440 g
Number	FB0130601202	FB0130602402

Also available in a offset gear style

