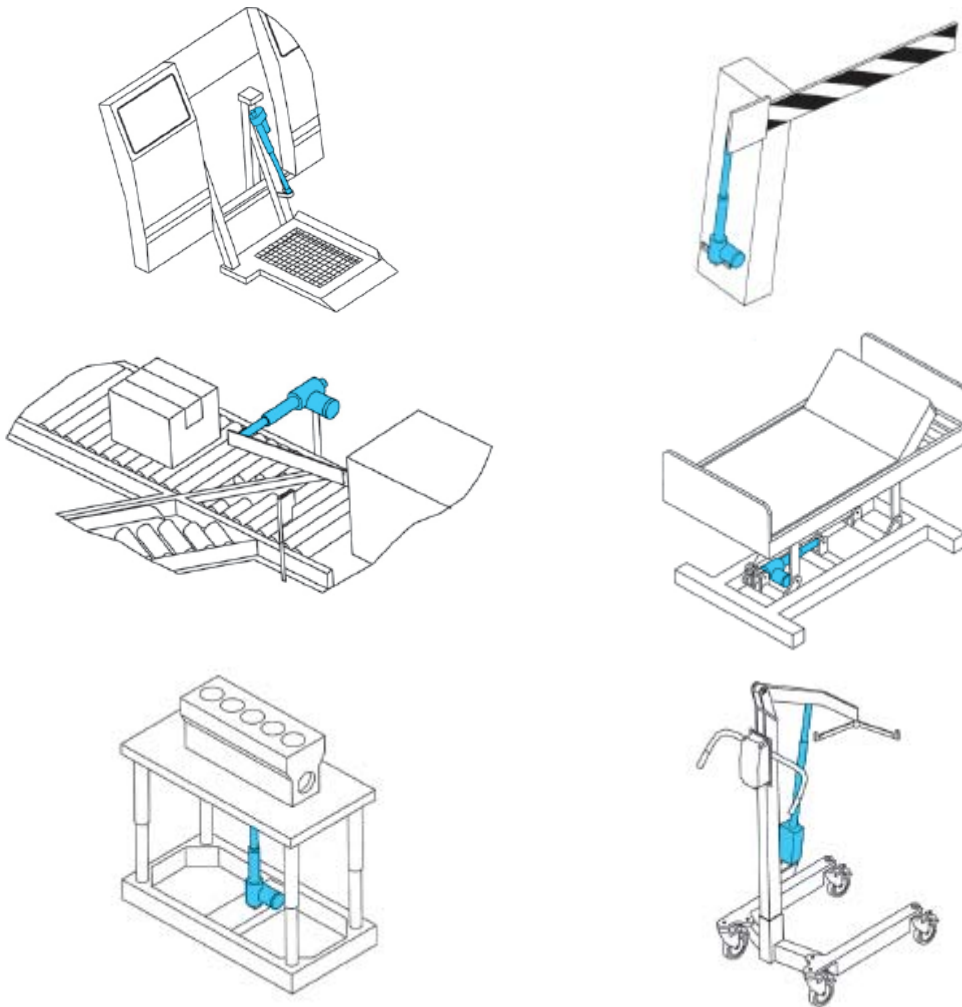




Linear Actuators

A linear actuator is a versatile device that can be thought of as an electrical pneumatic or hydraulic cylinder. These actuators are at their best in intermittent applications such as windows, gates and doors, office automation, home care, traffic facilities, automatic throttles and low duty automation project.

Linear actuators are user friendly, competitively priced and easy to install with a simple 2-wire system. Feedback options allow for more complex control systems or use of control and keypads allow for plug and play installation. Manufacturing is to ISO9000 and many types are CE rated.



Installations must not place torsion, bending or impact on the actuator. As the actuators use sealed DC motors and plain screw shafts care must be taken to observe the duty cycle or life of the actuator will be compromised.



LAM3 industrial actuator

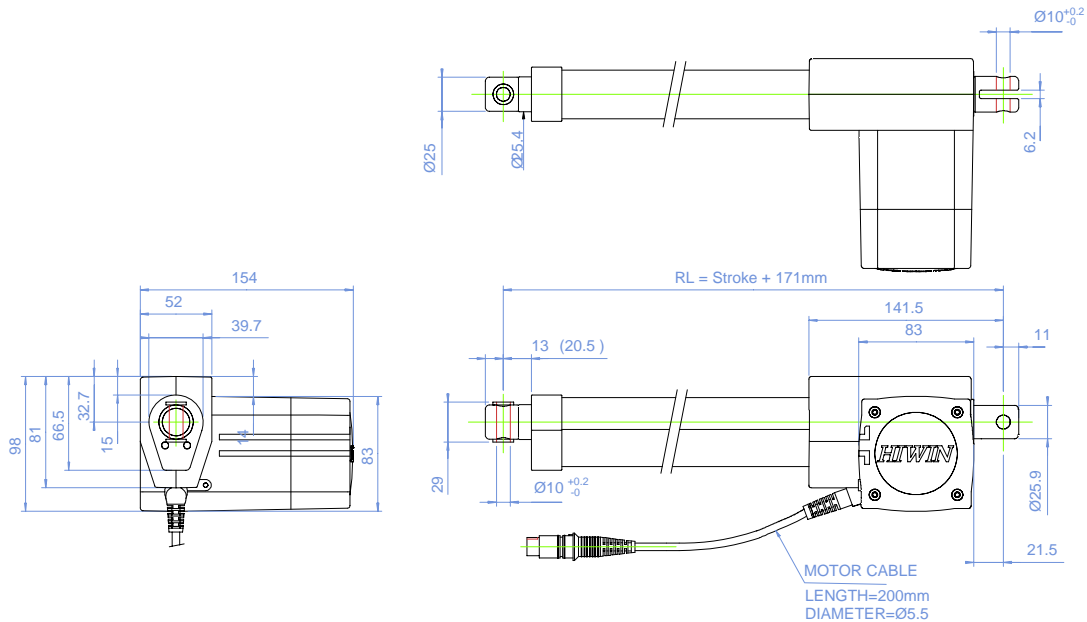


High load 24V actuator for heavy-duty applications.

Easy two wire input cable, Duty cycle based on full load. Actuator comes complete with internal limit switches.

LAK2D controller mounts directly to the actuator.

LAM3-1 types stocked in NZ in IP65, other types available on indent.



Model	Thrust (N)	Pulling (N)	Holding Force (N)	Speed (mm/s) Load/no load	Standard Stroke (mm)								Duty Cycle %	Max Current (A) 24VDC
					50	100	150	200	250	300	350	400		
LAM3-1	6000	5000	5000	4/5.5	50	100	150	200	250	300	350	400	10	6
LAM3-2	4000	4000	4000	5.5/7.5	50	100	150	200	250	300	350	400	10	5
LAM3-3	3000	3000	3000	7/9	50	100	150	200	250	300	350	400	10	4
LAM3-4	2000	2000	1500	11.5/14.5	50	100	150	200	250	300	350	400	10	4



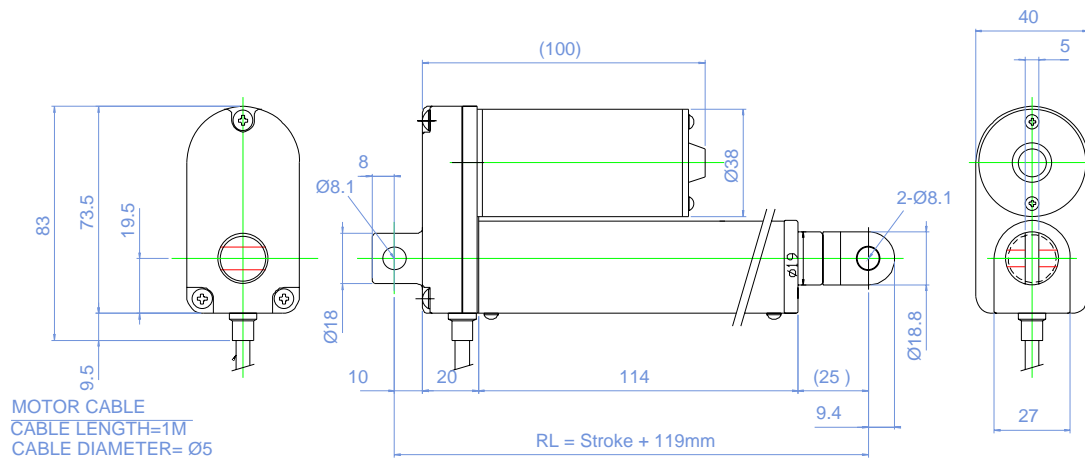
LAS1/2 compact actuator



Great actuator for a wide variety of applications including shutters, doors, remote controls, hatches, home automation and windows.

12V or 24V with 2 wire connection. Duty cycle based on full load. Actuator comes complete with internal limit switches.

LAS-1 type stocked in NZ with IP65 rating. LAS-2 available on indent.



Model	Thrust (N)	Pulling (N)	Holding Force (N)	Speed (mm/s) load/No load	Standard Stroke (mm)					Duty Cycle %	Max Current (A)	
											12VDC	24VDC
LAS-1	1200	1200	800	8/12	50	100	150	200	250	10	6	2.5
LAS-2	600	600	300	16/25	50	100	150	200	250	10	6	3

Also available is the similar LAS3 type with potentiometer or optical (pulse) feedback.



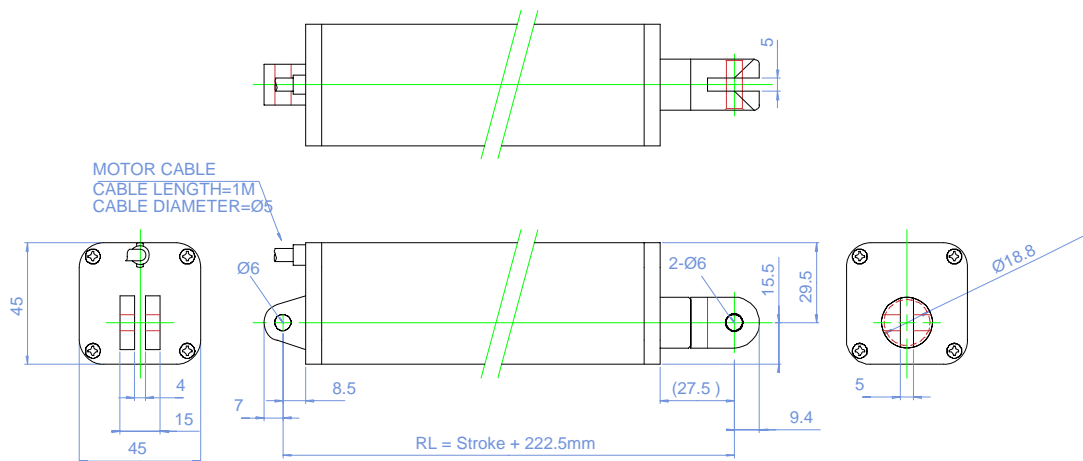
LAS4 compact actuator



Elegant design ideal for architectural and exposed applications.

12V or 24V with 2 wire connection. Duty cycle based on full load. Actuator comes complete with internal limit switch.

LAS4-1 type stocked in NZ with IP65 rating. LAS4-2 available on indent.



Model	Thrust (N)	Pulling (N)	Holding Force (N)	Speed (mm/s) load/No load	Standard Stroke (mm)					Duty Cycle %	Max Current (A)	
					100	150	200	250	300		12VDC	24VDC
LAS4-1	800	800	800	10/15	100	150	200	250	300	10	5	1.8
LAS4-2	300	300	200	30/46	100	150	200	250	300	10	6	3.6



Other types and options



Controllers for 1 to 6 axes. Plug and play functionality, synchronised and simultaneous movements possible.



Controllers with battery backup



High load LAN3 – 1000N thrust with feedback, spline and safety nut options.



Foot switches and overload protection boxes



Key pads from 1 to 5 axis and foot switch option



Controllers that mount directly onto actuators